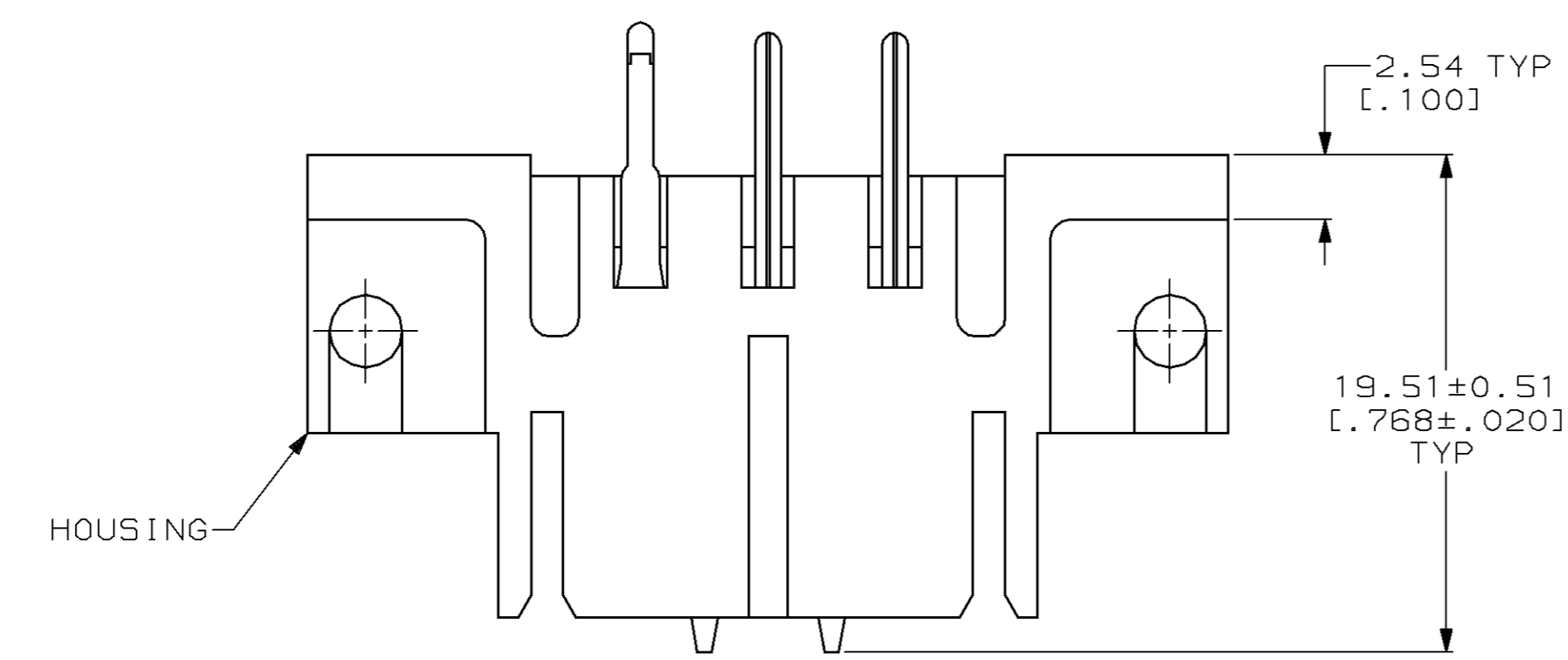
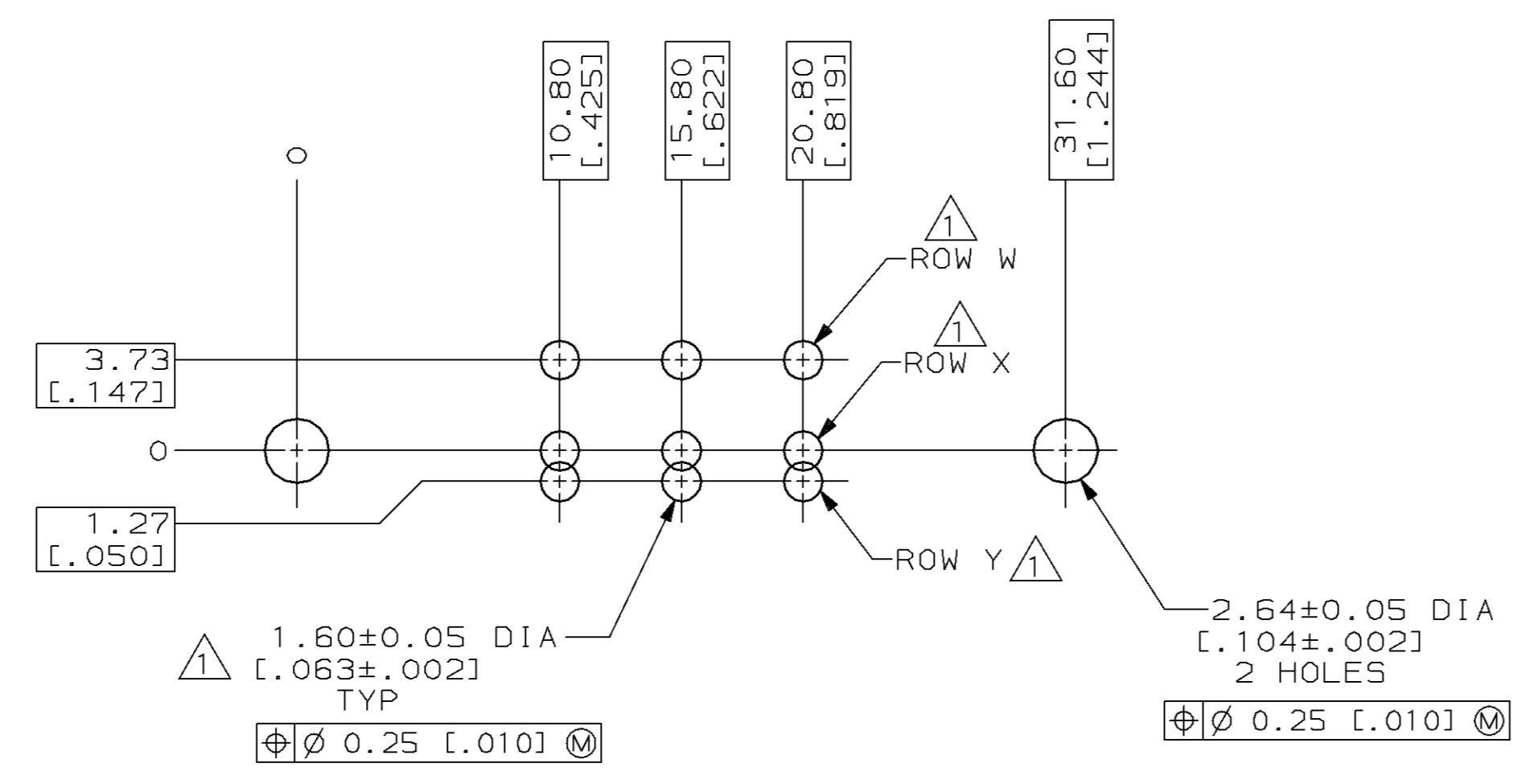
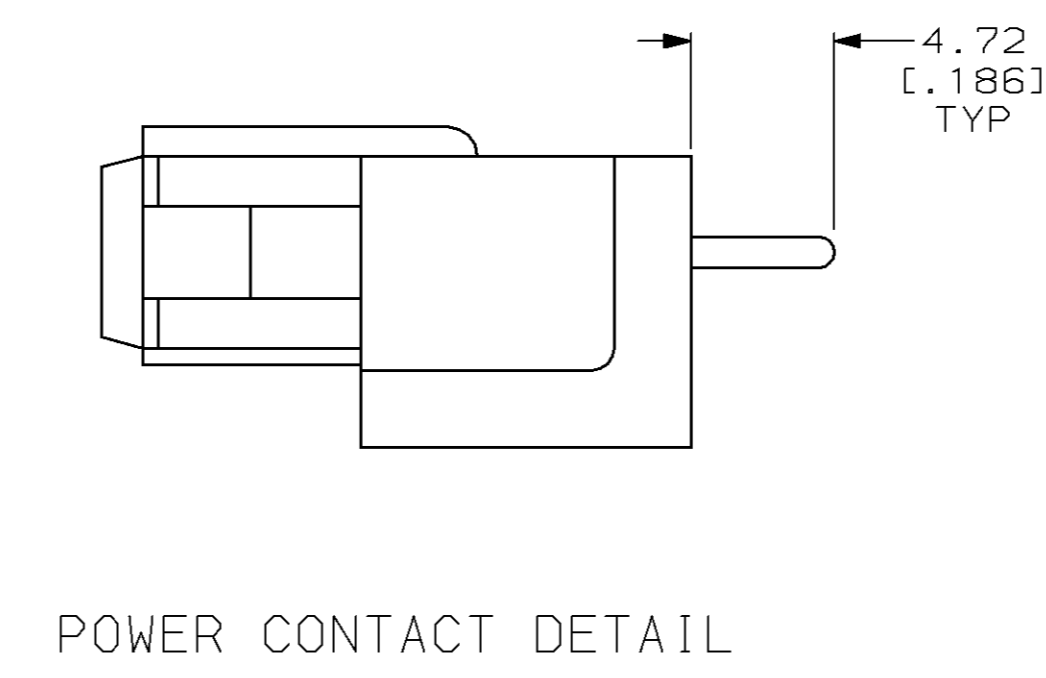
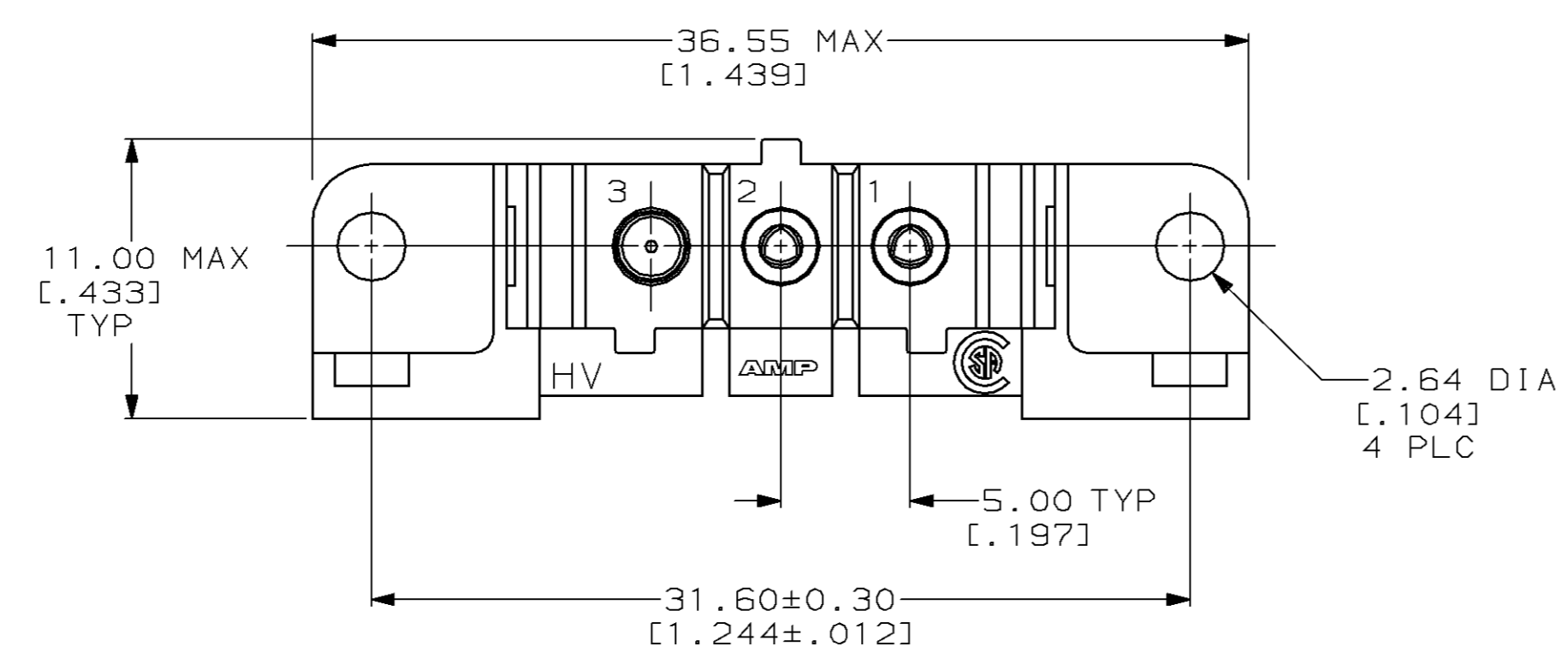
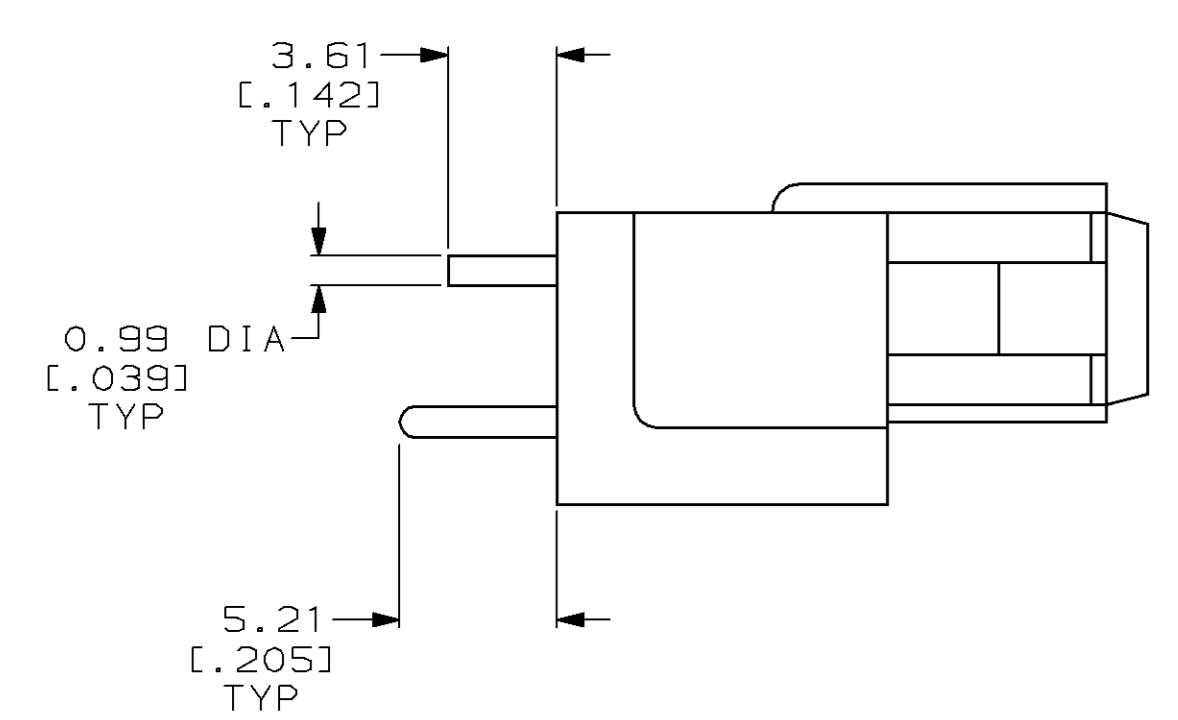


MOD		LOC		DIST		P		F		ZONE		LTR		REVISIONS			
NO	REV	NO	REV	NO	REV	NO	REV	NO	REV	NO	REV	NO	REV	NO	REV		
1		BD		37													
														D	REDRAWN WITHOUT CHANGE	08/11/92	-
														E	OBS -2 PER EC 0020-200-93	03/10/94	AT



- ① HOLES LOCATED IN ROWS W & Y FOR ANY CIRCUIT WITH A COAX CONTACT.
 HOLES LOCATED IN ROW X FOR ANY CIRCUIT WITH A POWER CONTACT.
- ② BODY: PHOSPHOR BRONZE PER QQ-B-750.
 HOOD: STAINLESS STEEL PER QQ-S-766.
- ③ CENTER CONDUCTOR: BRASS PER QQ-B-626.
 SHELL: BRASS PER MIL-C-50.
- ④ 0.76µm [0.000030] MIN GOLD PER MIL-G-45204 FOR A LENGTH OF 5.08 [0.200] MIN FROM MATING END, 3.81µm [0.000150] MIN TIN-LEAD PER MIL-T-10727 FOR A LENGTH OF 4.99 [0.196] MIN FROM OPPOSITE END, BOTH OVER 1.27µm [0.000050] MIN NICKEL PER QQ-N-290.
- ⑤ CENTER CONDUCTOR: 1.27µm [0.000050] MIN GOLD PER MIL-G-45204 OVER 0.76µm [0.000030] MIN NICKEL.
 SHELL: 0.38µm [0.000015] MIN GOLD PER MIL-G-45204 OVER 1.27µm [0.000050] MIN NICKEL PER QQ-N-290.



RECOMMENDED PC BOARD LAYOUT

THIS DRAWING IS A CONTROLLED DOCUMENT FOR AMP INCORPORATED. IT IS SUBJECT TO CHANGE AND THE CONTROLLING ENGINEERING ORGANIZATION SHOULD BE CONTACTED FOR THE LATEST REVISION.

OBSOLETE	COAX	POWER	POWER	208708-2
	COAX	COAX	COAX	208708-1
	CKT #3	CKT #2	CKT #1	PART NO
	TYPE OF CONTACTS LOADED			

DO NOT SCALE PRINT. UNLESS SPECIFIED DIMENSIONS IN mm [INCHES] TOLERANCES: ON: 2 PLC DEC ± 0.25 [0.010] 3 PLC DEC ± - ANGLES ± -	DR 09/16/92 S.WELDON CHK 10/14/92 R.STONE APPD 10/15/92 A.TRAVIS APPD 10/15/92 C.RHDE	NAME AMP AMP Incorporated Harrisburg, PA 17105-3608
MATERIAL HOUSING: NYLON, RED POWER CONTACT: ② COAX CONTACT: ③ FINISH POWER CONTACT: ④ COAX CONTACT: ⑤	PRODUCT SPEC - APPLICATION SPEC - WEIGHT -	SIZE D 00779 C=208708 SCALE 4:1